



匯統國際股份有限公司  
Huey Tung International Co., Ltd.

# 產品規格書 Specification

[ Model : HT-6233 / 2013.3.26 version ]



HT-6233



**Cara Audio Corporation**

No.69, Lane 762, Dingzhong Road, Sanmin District, Kaohsiung City, Taiwan, ROC.


Tel: 886-7-310 5786 / Fax: 886-7-310 0783

E-mail: [carawang@hueytung.com.tw](mailto:carawang@hueytung.com.tw) / <http://www.hueytung.com.tw>

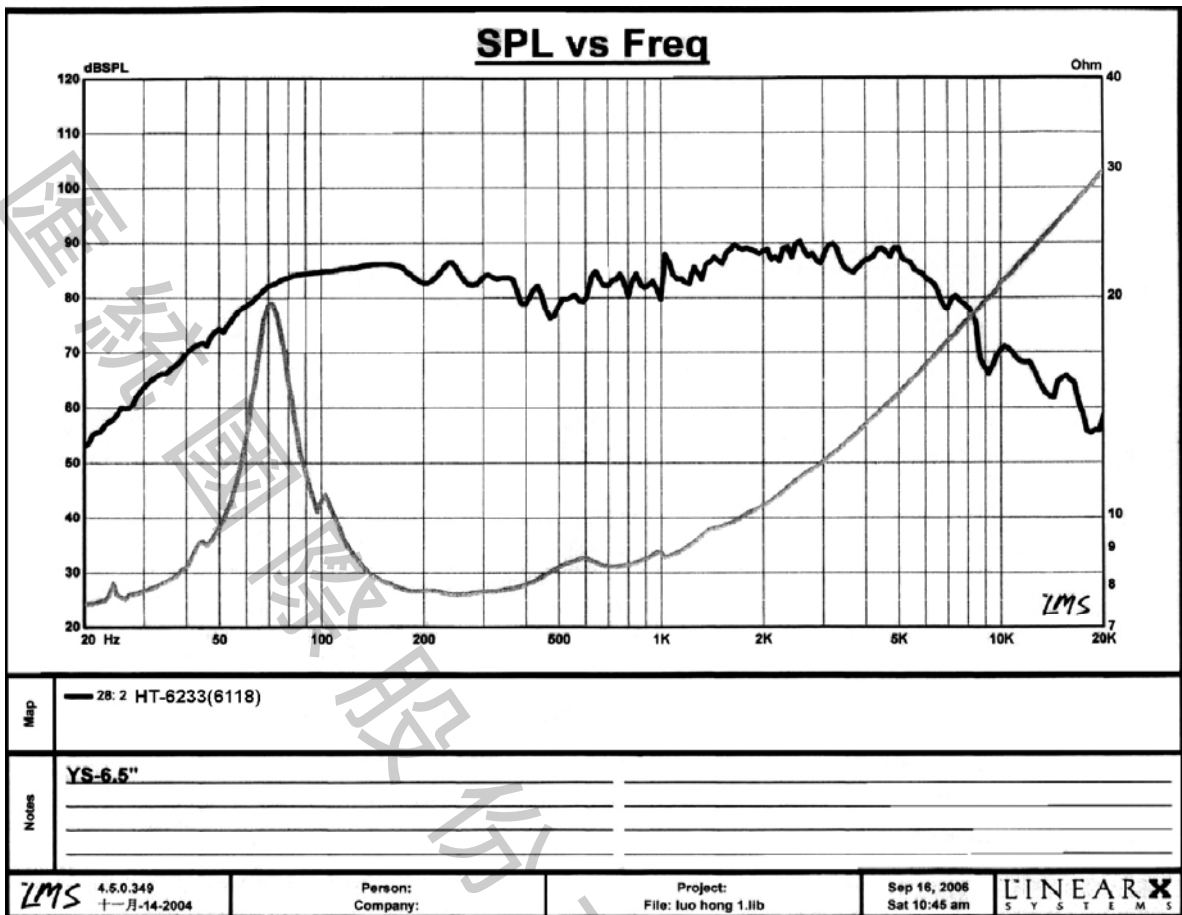
# 揚聲器製品規格書

## SPEAKER SPECIFICATION

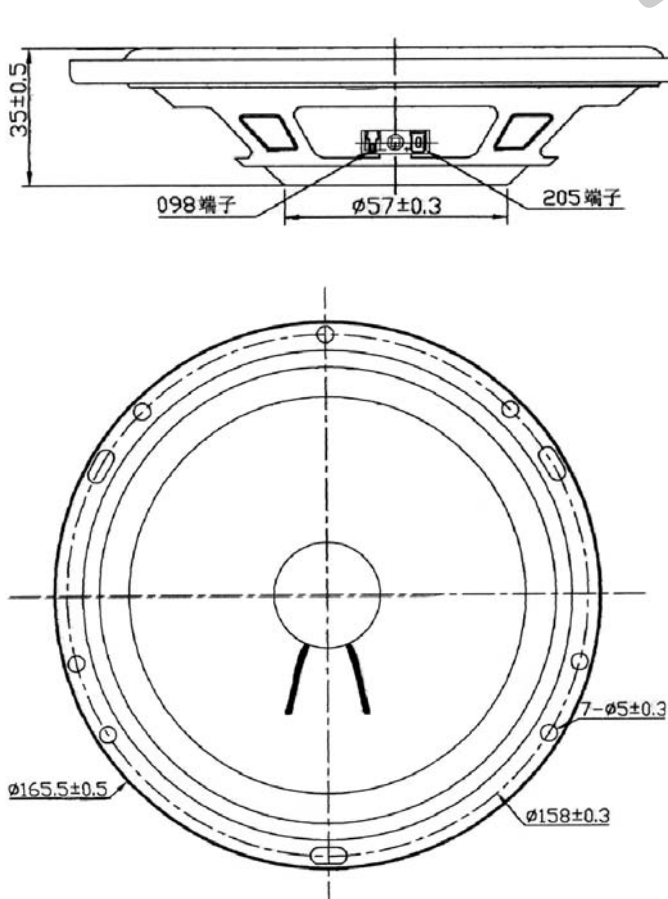
型號 Model Number: HT-6233

項目 Items		規格 Specification			
1	公称阻抗 Nominal Impedance	8Ω±15% at 1000 Hz 1.0v			
2	最低共振周波数 Lowest Resonance Frequency	70Hz±20%Hz Without a baffle			
3	实效周波数带域 Effective Frequency Range	F0~5KHz -10dB			
4	出力音压 Output Sound Pressure Level	81dB±3dB 1W/M at (400,600,800,1K)Hz AVE.			
5	入力 Input	定格入力 Rated input 15 W	最大入力 Maximum input 20 W		
6	磁束密度 Flux Density	-----±10% GAUSS			
7	异常音试验电压 Buzz & Rattle Test	Must be normal at sine wave 7.74 V			
8	动作试验电压 Operation Test	Must be normal at program source 10.95V			
9	极性 Polarity	右正極			
10	磁石尺寸/重量 Magnet Dimension/Weigh	Magnet: Φ24.5*6.5H N35 Sub Magnet:	/G		
11	连续负荷试验 Life Test	10.95V(8Ω 15W)PINKD IN45573 hours			
12	耐热试验 Heat Resistance	55°C±2°C 20%-25%RH 8Hours and then room temperature 1 hours			
13	耐湿试验 Humidity Resistance	40°C±2°C 90%-95%RH 8Hours and then room temperature 1 hours			
14	耐寒试验 Cold Resistance	-25°C±2°C 24Hours and then room temperature 1 hours			
15	落下试验 Drop Test	1M 75°±2°			
16	绝缘耐压试验 Insulation Resistance	Or more 1MΩ 以上			
17	周波数特性 Frequency Response Curve	参照附图 On Other Drawing			
18	失真率 Distortion	5% Lee than at 150w 1000Hz			
19	各部 材质	Cone Paper	銀色胴體+橡膠邊		
		Voice Coil	ASV 25 芯		
		Cap	/		
20	总重量 Total Weight	/			
		Size: 6 1/2" 試作發行: 2006.9.16	Approve: Arthur	Check: John	Design: LIU

音波曲線 Frequency: HT-6233



成品圖及照片 Mechanical Dimensions : HT-6233



Tolerance: ±0.5  
Unit: mm